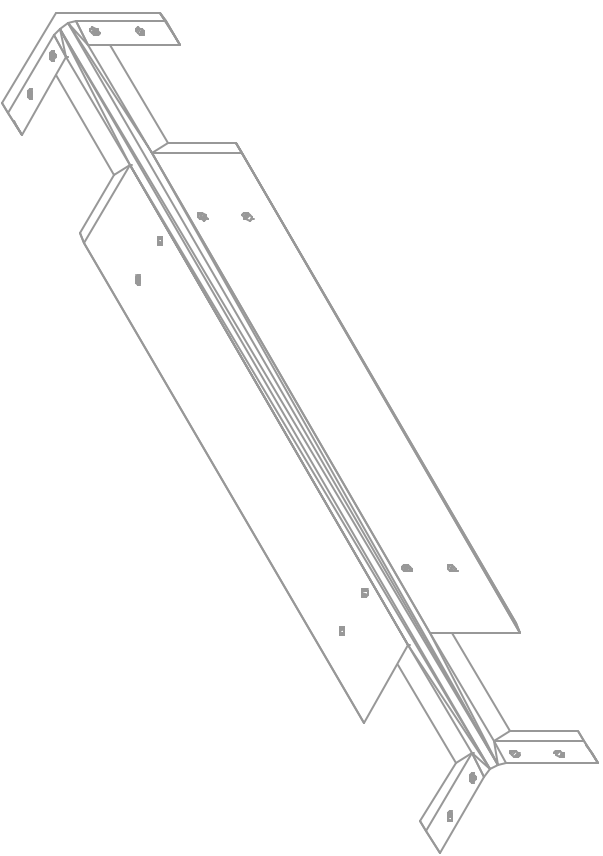
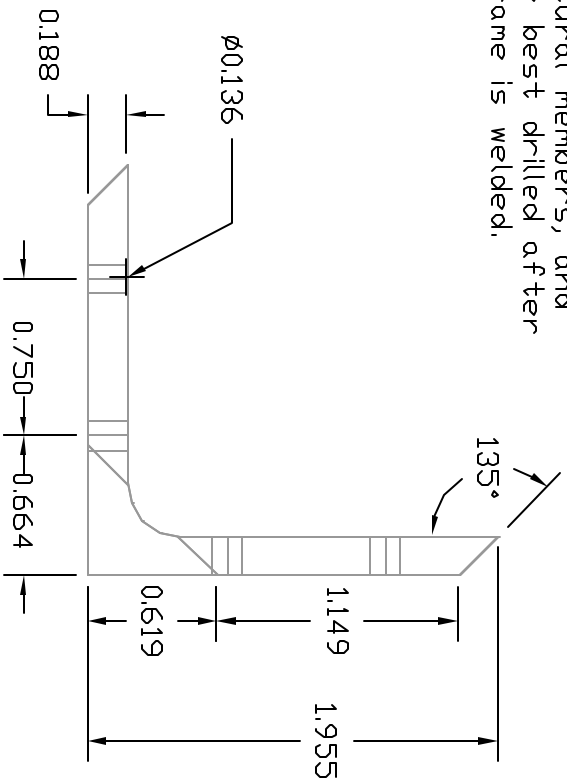


The raw material is a piece of 304 stainless steel angle. It is 3/16" thick 2"x2"x36".

Note that the holes continue into the structural members, and may be best drilled after the frame is welded.



Angle

4/11/02

**Clobberbots**

Joseph P Feiber  
4069 South Packard Avenue, St. Francis, WI 53235  
414-482-8905